

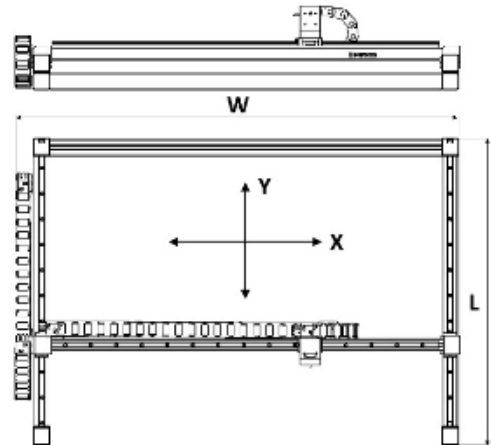
# Compact XY-travel Stand



Quality of Inspection

In-Line

Industrial grade XY-travel rack mount with cable carrier providing smooth lateral movement of the Digital Microscope over inspection object. Supplied with brackets for installation in commonly used industrial racks to provide fully integrated online inspection solutions. Ideal for assembly over conveyor lines or for processes where object handling is undesirable and especially suitable for constrained working space constricted.



Comprised of custom cut linear guiding system mounted on high density aluminium profile for smooth and stable XY-travel of digital camera. The system is fitted with mounting brackets to allow the correct setting of working distance during installation in the user's rack system. Removeable front profile for extension of the field of view. 4-direction tilt unit, Z-extender bracket and camera grip handle are available for XY-travel Stand as extra accessories.

Made of high-quality anodised aluminium and Stainless-Steel parts.

## Specification:

X-travel range*	Custom made 100 to 750 mm. $X = W - 190$ mm
Y-travel range*	Custom made 100 to 750 mm. $Y = L - 225$ mm
Working Distance range**	10 to 500 mm
Weight	~ 5.0 to 10.0 kg depending on W and L lengths
Fastener to rack	Custom made or standard brackets with M6 mounting holes



\* Long XY-travel versions are available

\*\* WD is adjusted by changing height of the entire XY-stand or by using HD-181

## Ordering Number/ Name

HD-370	Compact XY-Travel Stand, In-Line
HD-380	Compact XY-Travel Stand, table-top
HD-171	4-direction Tilt Unit for Travel Stands
HD-172	Rack-&-Pinion module for travel stands, Coarse/ Fine
HD-181	Z-extender bracket for XY-travel Stands

Reseller:



V1, 2023

[www.inspect-is.com](http://www.inspect-is.com)

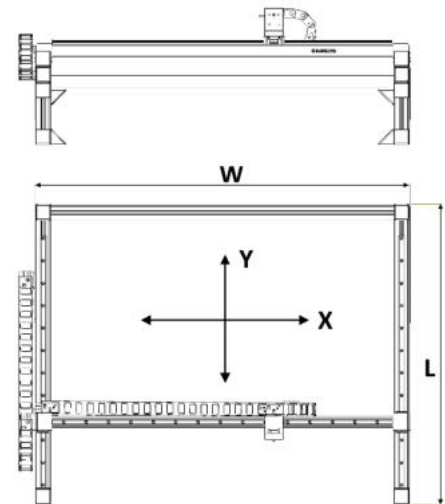
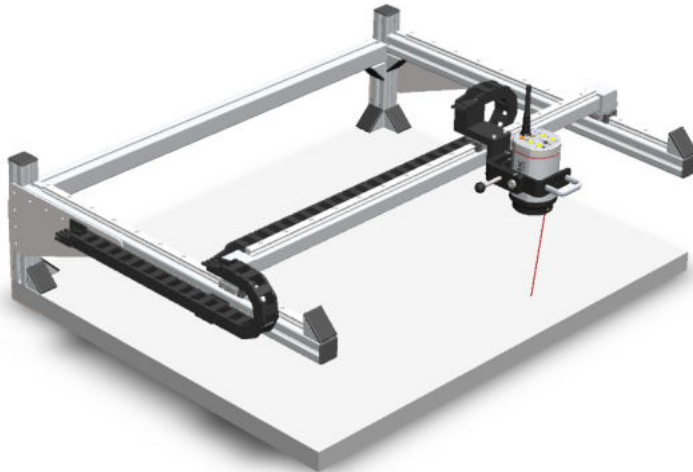
# Compact XY-travel Stand



Quality of Inspection

Table-Top

Industrial grade table-top XY-travel stand with cable carrier providing smooth lateral movement of the Digital Microscope over inspection object. Ideal for optical inspection of large objects or for processes where object handling is undesirable. Especially suitable for constrained working space constricted.



Comprised of custom cut linear guiding system mounted on high density aluminium profile for smooth and stable XY-travel of digital camera. The height of the linear guide can be adjusted and set for desired working distance of the Digital Microscope. 4-direction tilt unit, Camera grip handle, and Z-extender brackets are available for XY-travel Stand as extra accessories.

Made of high-quality anodised aluminium and Stainless-Steel parts.

## Specification:

X-travel range*	Custom made 100 to 750 mm. $X = W - 145$ mm
Y-travel range*	Custom made 100 to 750 mm. $Y = L - 120$ mm
Working Distance range**	115 to 340 mm (up to 500mm with extended vertical posts)
Weight	~ 7.0 to 12.0 kg depending on W and L lengths
Fastener to table	Rear bracket and angle-mounts with M6 mounting holes



\* Long XY-travel versions are available

\*\* WD is adjusted by changing height of the entire XY-stand or by using HD-181.

Extended vertical posts can be supplied on request for extra large working distance.

## Ordering Number/ Name

<b>HD-380</b>	Compact XY-Travel Stand, table-top
<b>HD-370</b>	Compact XY-Travel Stand, In-Line
<b>HD-171</b>	4-direction Tilt Unit for Travel Stands
<b>HD-172</b>	Rack-&-Pinion module for travel stands, Coarse/ Fine
<b>HD-181</b>	Z-extender bracket for XY-travel Stands

Reseller:



V1, 2023

[www.inspect-is.com](http://www.inspect-is.com)